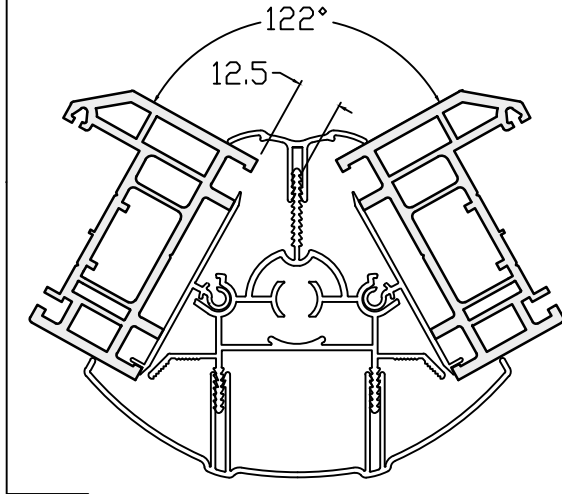


From this point note the Frame adapter has been switched so that the positive location is the opposite leg.



Deductions for WWL121 Using 482028

Angle	Deduction	Trim
90	9.1	DBI
92	9.7	DBI
94	10.2	DBI
96	10.7	DBI
98	11.2	DBI
100	11.7	DBI /PILDT
102	12.2	DBI /PILDT
104	12.7	DBI /PILDT
106	13.2	PILDT
108	13.7	PILDT
110	14.2	PILDT
112	14.7	PILDT
114	15.1	PILDT
116	15.6	PILDT
118	16.1	PILDT
120	16.5	PILDT
122	12.5	DBI
124	13.1	DBI
126	13.8	DBI