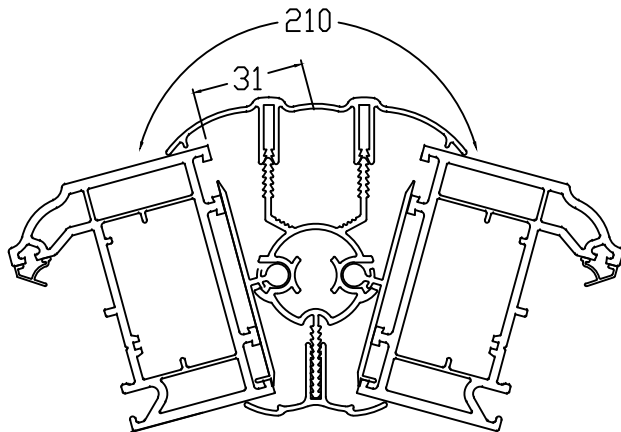


From this point note the Frame adapter has been switched so that the positive location is the opposite leg.



Deductions for 482054 using 482028 for 70mm frame		
Angle	Deduction	Trim
182	20	DBI / PILDT
184	21	DBI / PILDT
186	21	DBI / PILDT
188	22	DBI / PILDT
190	23	DBI / PILDT
192	23	DBI / PILDT
194	24	DBI
196	24	DBI
198	25	DBI
200	25	DBI
202	26	DBI
204	27	DBI
206	27	DBI
208	28	DBI
210	31	DBI / PILDT
212	31	DBI / PILDT
214	32	DBI / PILDT
216	33	DBI / PILDT
218	34	DBI / PILDT
220	35	DBI / PILDT
222	35	DBI / PILDT
224	36	DBI / PILDT
226	37	DBI / PILDT
228	38	DBI / PILDT
230	40	DBI / PILDT
232	40	DBI
234	41	DBI
236	42	DBI