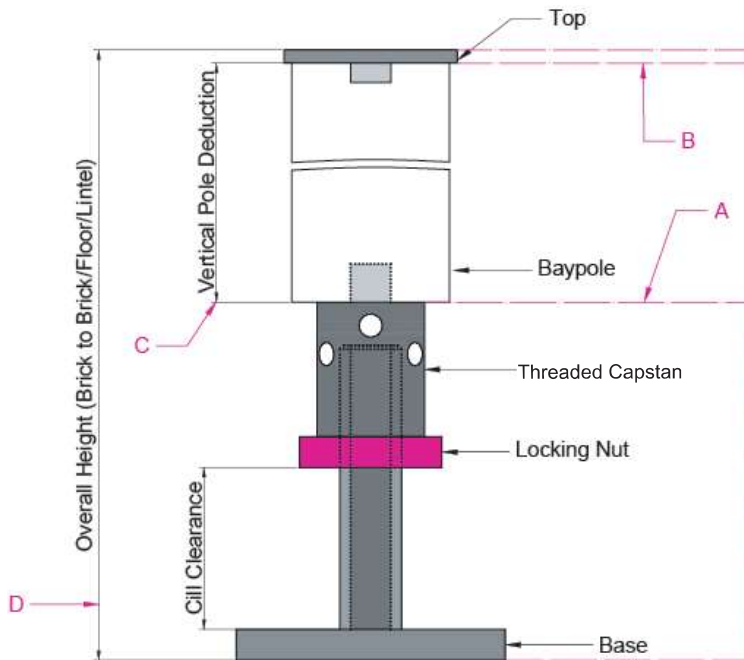
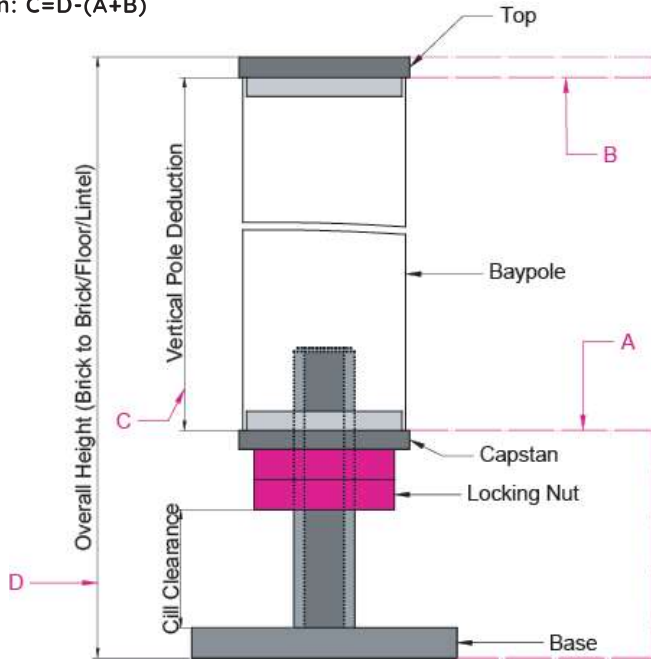


J JACK DEDUCTION

Jack Deduction: $C=D-(A+B)$



J JACK DEDUCTION

These charts show your specific Jack deduction

PRODUCT CODE	STACK GROUP	PRODUCT CODE	STACK GROUP
JACK-1	1	JACK-24	3
JACK-2	4	JACK-25	2
JACK-2 (105)	4	JACK-26	2
JACK-3	2	JACK-27	3
JACK-4	3	JACK-28	3
JACK-5	3	JACK-29	2
JACK-6	2	JACK-30	2
JACK-7	2	JACK-31	2
JACK-7 (105)	2	JACK-32	3
JACK-8	3	JACK-33	2
JACK-9	2	JACK-34	2
JACK-10	2	JACK-35	3
JACK-11	3	JACK-36	3
JACK-11 (105)	3	JACK-37	3
JACK-12	3	JACK-38	3
JACK-13	2	JACK-39	3
JACK-14	3	JACK-40	3
JACK-15	3	JACK-41	3
JACK-15NB	3	JACK-42	3
JACK-16	2	JACK-43	2
JACK-17	3	JACK-44	3
JACK-18	2	JACK-45	3
JACK-19	4	JACK-46	3
JACK-19 (105)	4	JACK-49	3
JACK-20	3	JACK-50	3
JACK-20NB	3	JACK-51	2
JACK-21	2	JACK-53	3
JACK-22	2	JACK-56	3
JACK-23	2	JACK-57	3
		JACK-58	3

STACK GROUP	DEDUCTIONS
1	64MM
2	67MM
3	70MM
4	90MM

Visit the website for all Baypole Jack Deductions

OPEN THE CAMERA ON YOUR PHONE & SCAN ME