

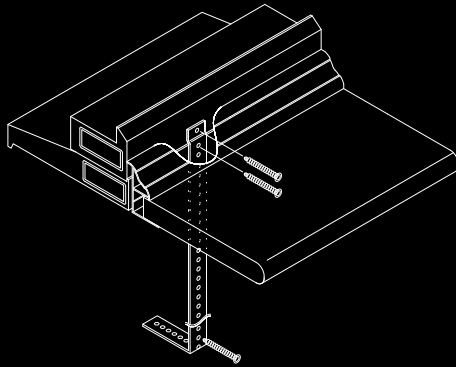
PART NO.	DESCRIPTION	PACK SIZE
22WBR	22mm Window Board Receiver (Specify White)	4 x 6m
	(G) Golden Oak	2 x 6m
	(M) Mahogany	2 x 6m
	(R) Rosewood	2 x 6m
MM200BKT	200mm Steel Bracket	Each

ANCHORING



ANCHORING

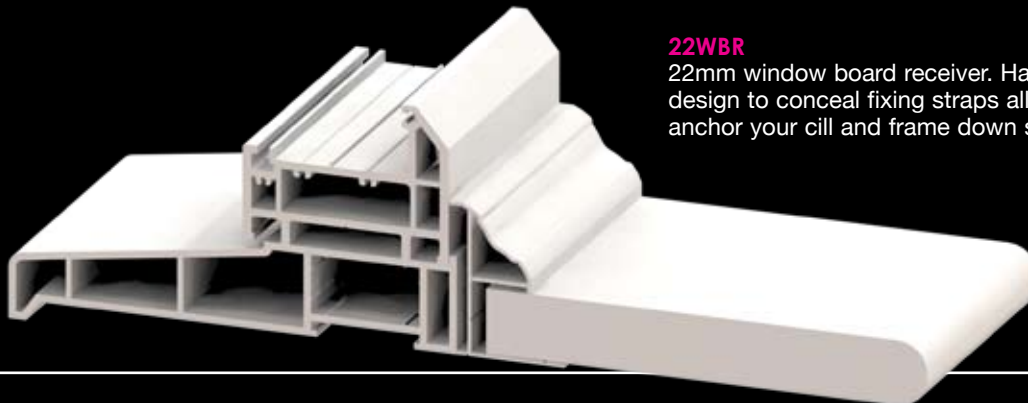
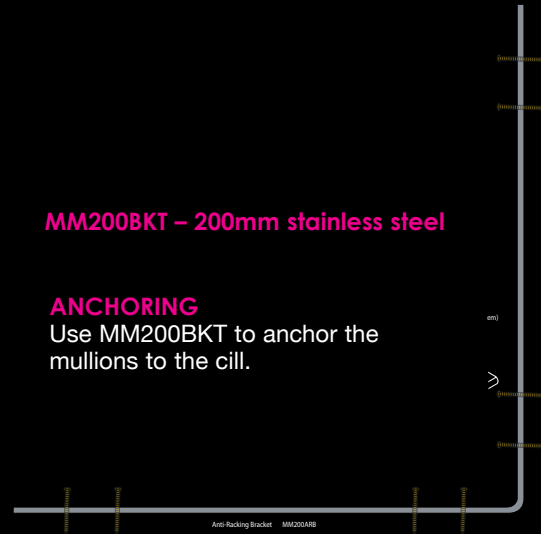
Consider anchoring the cill down through the brickwork with the detail proposed below. Our window board receiver has been designed with a rebate to conceal fixing straps



MM200BKT – 200mm stainless steel

ANCHORING

Use MM200BKT to anchor the mullions to the cill.



22WBR

22mm window board receiver. Has a rebate within the design to conceal fixing straps allowing you to structurally anchor your cill and frame down several courses of brick.

ANCHORING

Conservatories are subjected to large uplift forces. If you only secure your frames into the first row of bricks, then you are reliant on purely the weight of your frames and bricks combined with a small additional strength from the cement to resist this force. It is prudent in our opinion to anchor down several rows of bricks and we suggest the solution shown above.